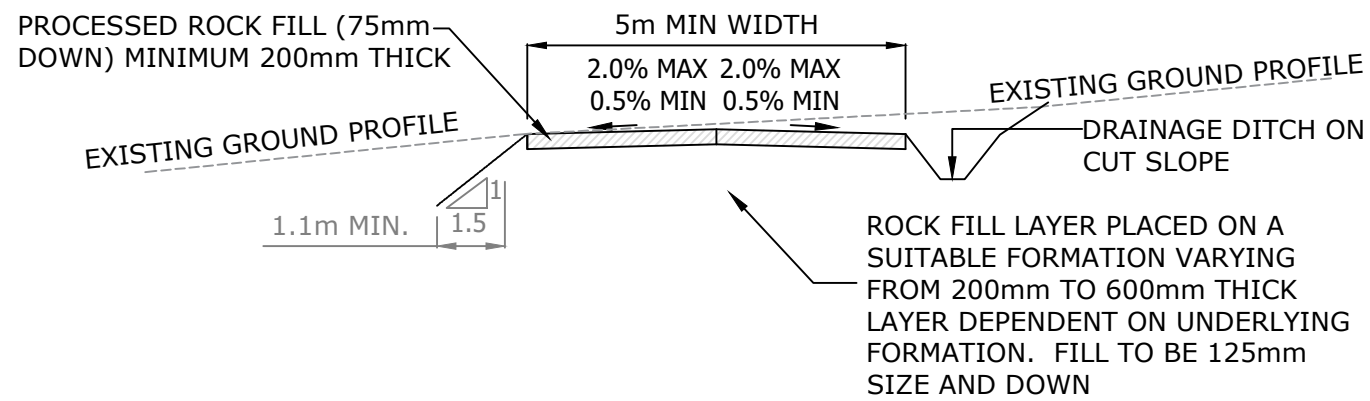
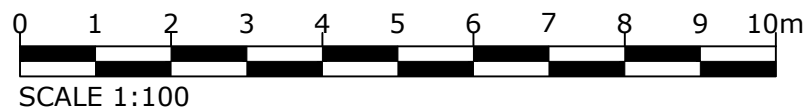


TYPICAL SECTION THROUGH ROCK-FILL TRACK (1:100)



TYPICAL SECTION THROUGH EXCAVATED TRACK (1:100)



Legend:

Title: Figure 4.7a Typical Access Track Section(s)	
Limekiln Wind Farm S36C	
Source:	
Client: Infinergy	
Drawn by: KC	Checked: KC
Date: 03/05/21	
Scale: 1:100	Revision: 1