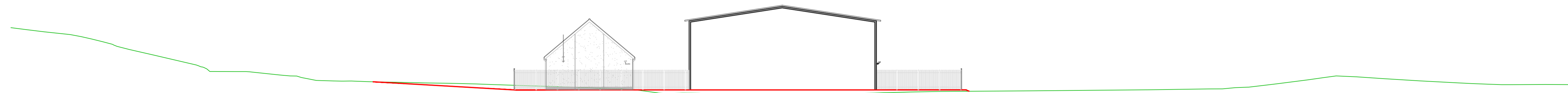


Figure 4.5b Indicative Substation Layout

Legal:
Natural Power Consultants Ltd take no responsibility for the accuracy of data provided by third parties.
Copyright:
Reproduced from Ordnance Survey Digital Map Data © Crown Copyright 2020. All rights reserved. Ordnance Survey Licence 100031673.

- Notes:**
1. PLATFORM CONSTRUCTION IS ON A DESIGN AND BUILD BASIS.
 2. LEVELS ARE INDICATIVE ONLY.
 3. DRAWING FOR REFERENCE ONLY. IT WILL BE THE BALANCE OF PLANT CONTRACTORS RESPONSIBILITY TO PROVIDE THE AS BUILT DRAWINGS AND COMPLY WITH THE REQUIREMENTS OF THE PLANNING AUTHORITY.



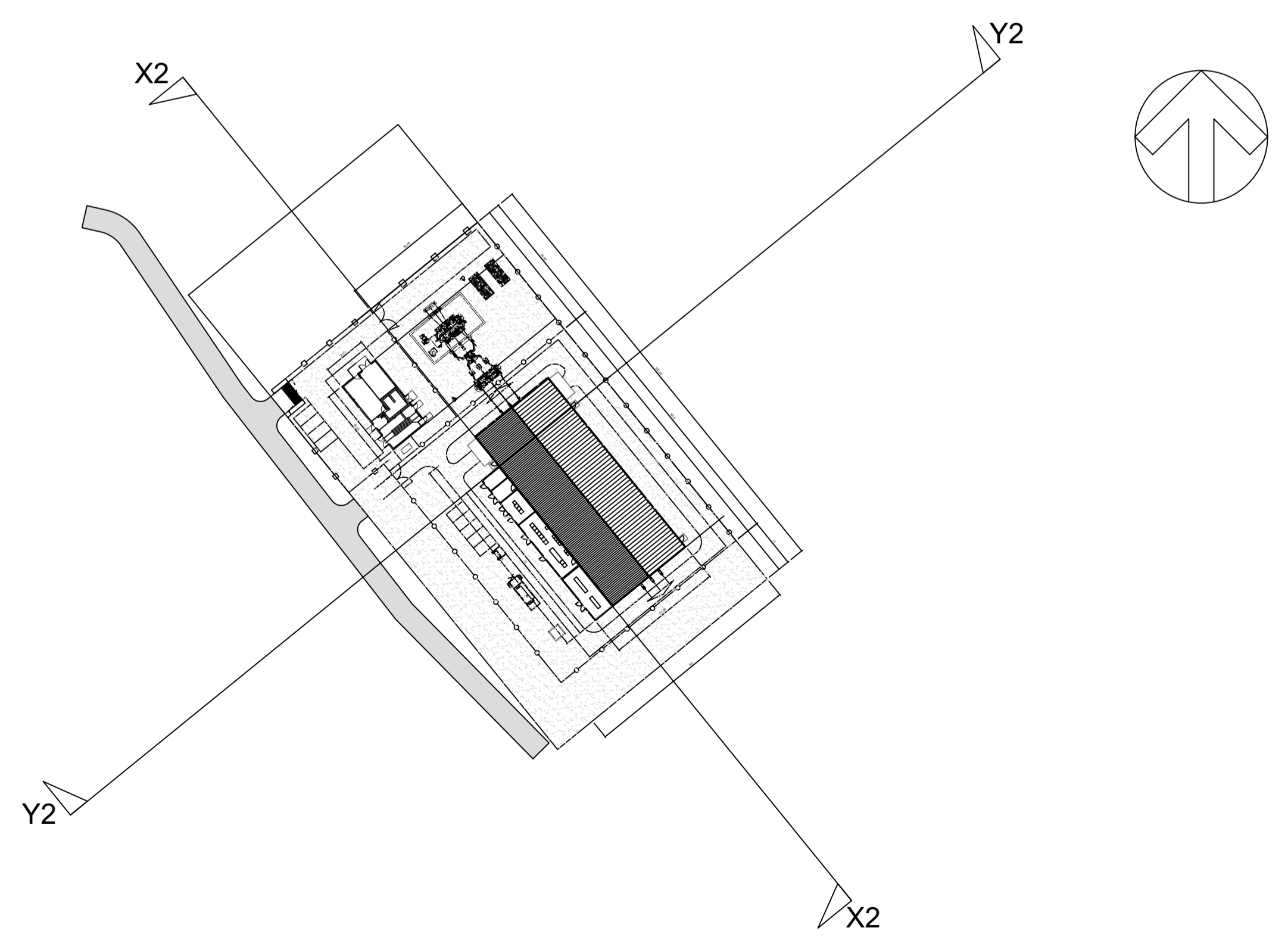
SSE & WIND FARM SUBSTATIONS - NORTH EAST / SOUTH WEST SECTION (Y2-Y2)
SCALE: 1:250



SSE & WIND FARM SUBSTATIONS - NORTH WEST / SOUTH EAST SECTION (X2-X2)
SCALE: 1:250

Key:

— Existing Ground Level
— Proposed Ground Level



SSE & WIND FARM SUBSTATIONS - LOCATION PLAN
SCALE: 1:1000

Rev	Description	By/Ch	Date
B	Drawing updated to FINAL and notes updated.	GC/AK	03-09-20
A	Initial drawing issue	GC/AK	20-08-20

Natural Power Consultants Ltd.
Ochil House, Springkerse Business Park,
Stirling, FK7 7XE, Scotland, UK
Tel: +44 (0)1786 542 300
Fax: +44 (0)8452 991 236
E-mail: sayhello@naturalpower.com
www.naturalpower.com



IFS Doc No. : 1233840	IFS Activity: 304.30402	
Drawn: GC	Checked: AK	Approved: AK
Scale: Various @ A1	Date: 20-08-2020	

Client: Infinergy	
Status: FINAL	
Project: Limekiln Wind Farm	
Drawing Title: Substation Sections X2-X2 & Y2-Y2	
Drawing No. 13835_100_105	Revision B