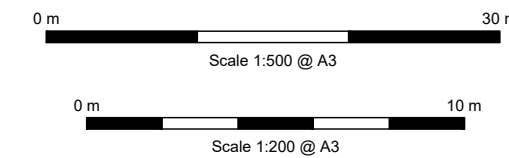
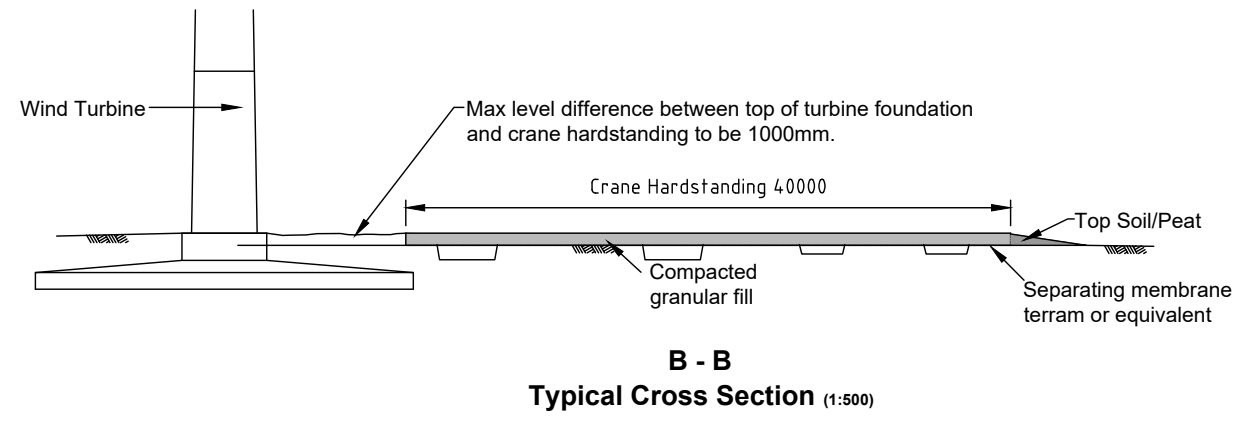
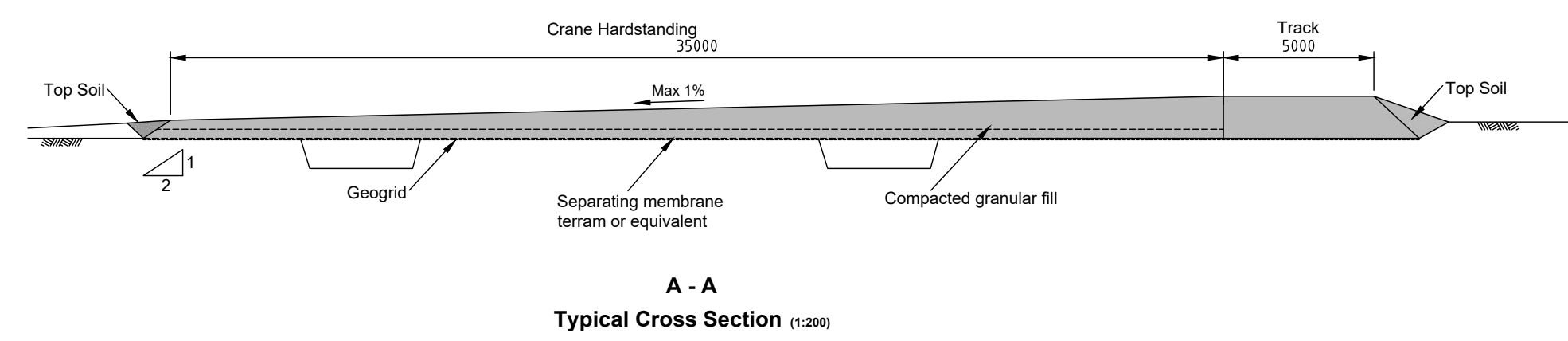
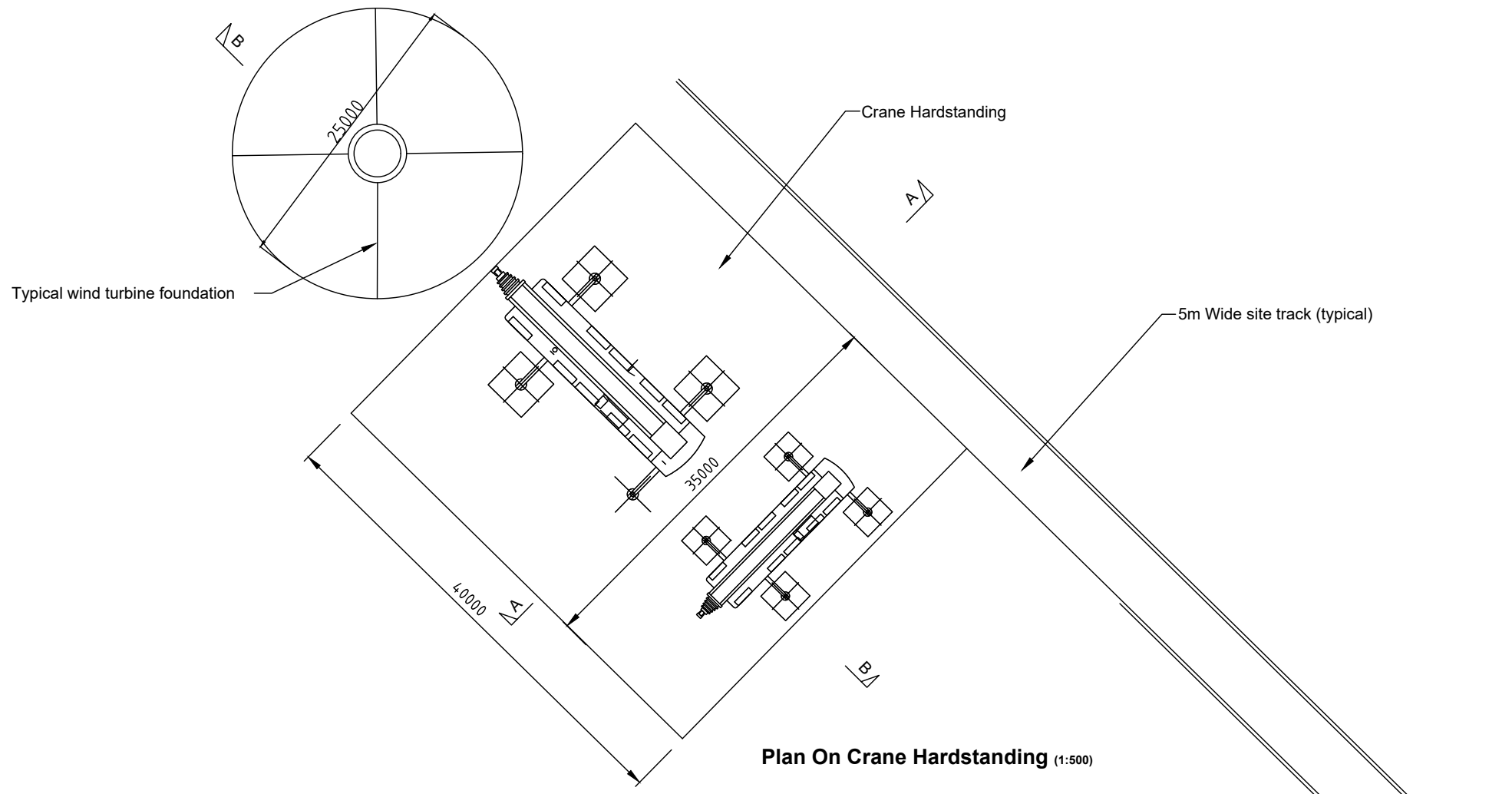


Figure 4.3 Typical Crane Hardstanding



Note:

1. All dimensions are in millimetres unless noted otherwise.
2. Drainage to be established on site.
3. Depending on ground conditions localised thickening of hardstanding may be required at outrigger locations.

Title: Typical Crane Hardstanding	
Limekiln Wind Farm Section 36C Variation Application	
Source:	
Client: Infinergy	
Drawn by: MY	Checked:
Date: 05/05/2021	Figure: 4.3
Scale: See Figure	Revision No: 0
INFINERGY	